

	+5V	GND	VBB
U1	7		
U2	14	7	
U3	8	4	
U4	33	1,4,2	
U5	14	7	
U6	1	9	
U7	7	14	
U8	14	7	
U9	16	30,32	
U10	28	14	
U11	16	5,8	

PWR TX CON RX STA MA

D

C

B

A

EXTERNAL BATTERY INPUT

V_IN GND P3

FB1 RFC1 10UH_CHOKE C29 10UF C30 1UF

CR13 IN914 SW1A R49 47K

C11 10UF C16 2 C23 1 C26 2 C28

C24 10UF_TANT. C9 10UF

U10 27C512

A00-A15 D00-D07

U9 32 RAM_32

A00-A15 D00-D07

U8 74HC00

A15

U7 74HC00

A15

U6 74HC00

A15

U5 74HC00

A15

U4 638033X

A00-A15 D00-D07

U3 74HC00

A15

U2 74HC00

A15

U1 74HC00

A15

U11 DS1215

CE1 CE0 Q

U7C 74HC00

U7D 74HC00

U7E 74HC00

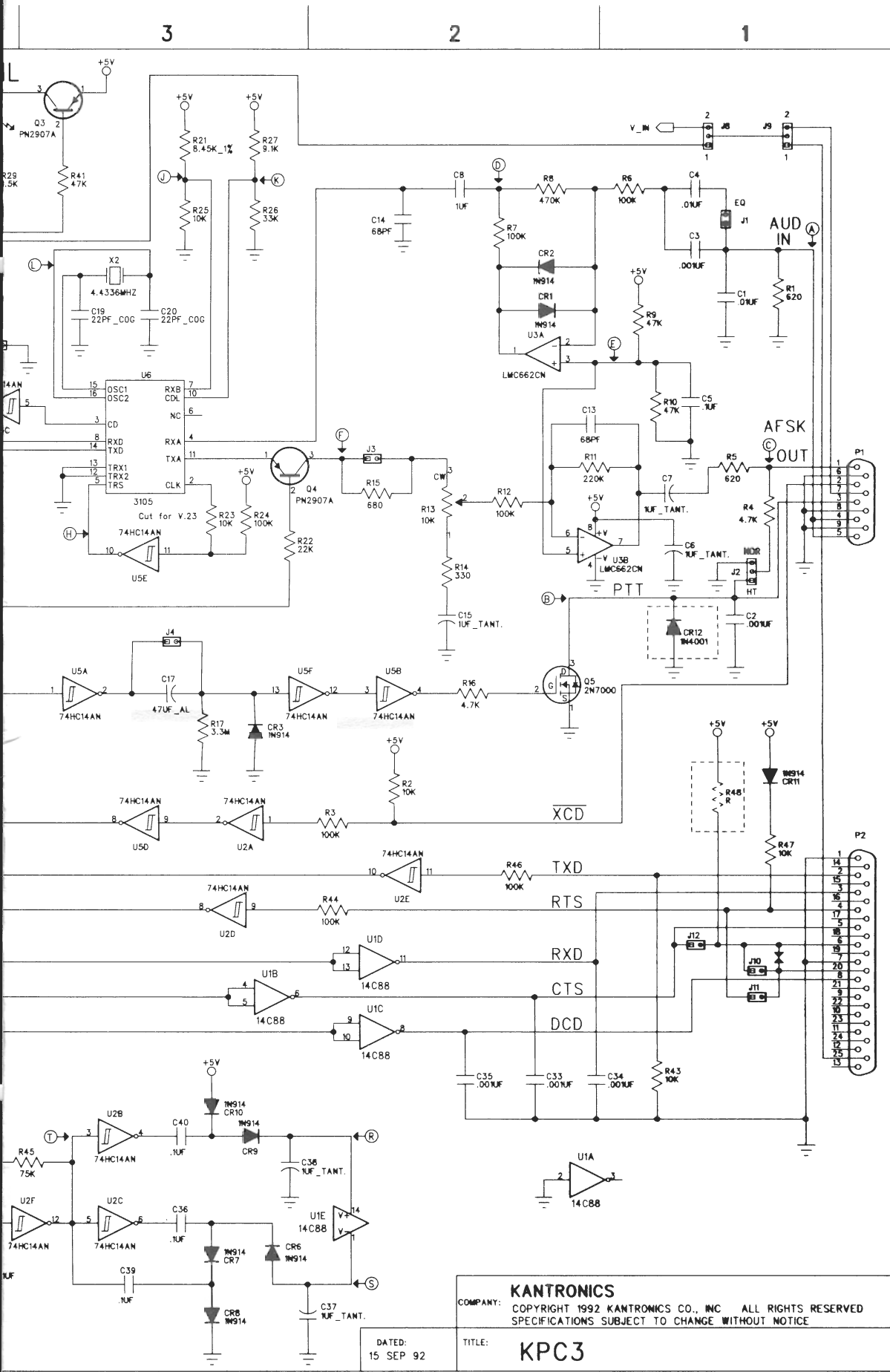
U7F 74HC00

U7G 74HC00

U7H 74HC00

U7I 74HC00

U7J 74HC00



KANTRONICS
 COMPANY: COPYRIGHT 1992 KANTRONICS CO., INC. ALL RIGHTS RESERVED
 SPECIFICATIONS SUBJECT TO CHANGE WITHOUT NOTICE
 DATED: 15 SEP 92
 TITLE: **KPC3**